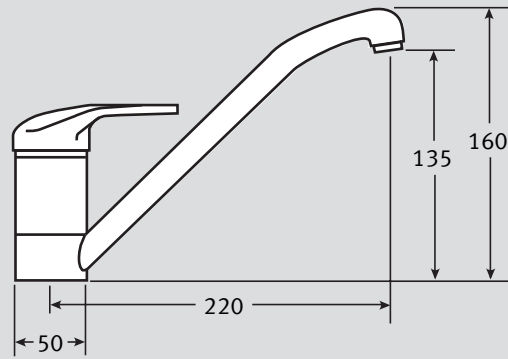


# Professional Top Lever Tap Specifications

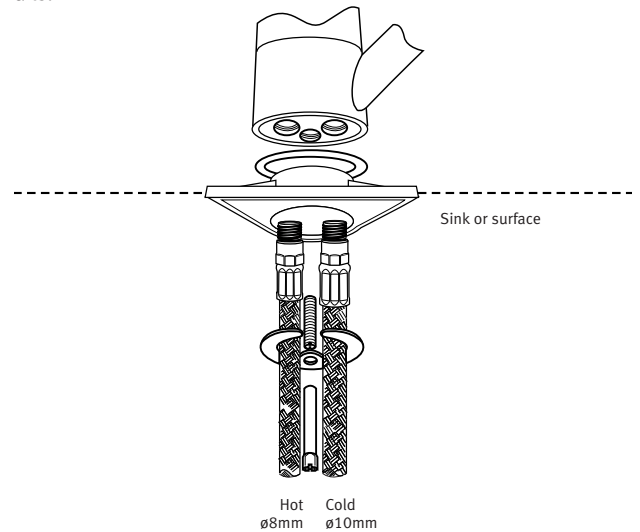
- Single lever action
- Ceramic disc cartridge mechanism
- Brass body and spout
- Long reach spout
- Compatible with most Franke sink types
- Requires 35mm tap hole
- Fully guaranteed with nationwide servicing\*



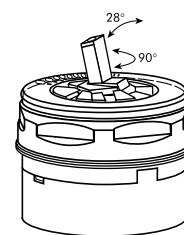
<b>Material:</b>	Solid brass body and brass spout	
<b>Type:</b>	Top mounted lever	
<b>Spout:</b>	Single Flow continental spout with long reach	
<b>Tails:</b>	Flexi tails with built in non return valves	
<b>Tap Height:</b>	135 (overall tap height 160)	
<b>Spout Reach:</b>	220	
<b>Handle Width:</b>	Not applicable	
<b>Colours:</b>	Chrome and SilkSteel	
<b>Maximum Water Pressure:</b>	75 PSI (5 bar)	
<b>Maximum Hot-Water Temperature:</b>	70°C	
<b>Recommended Hot-Water Temperature:</b>	65°C	
<b>Guarantee:-</b>	<b>Ceramic mechanism</b>	5 year
	<b>Surfaces:</b>	1 year
<b>Joints:</b>	It is recommended that compression fittings are used to link the tap to the supply.	

Some taps may require bracing to avoid flexing of the sink ledge.

## Tails:



## Valve Mechanism: Cartridge



\* South Services: 0870 241 5632 \* Central Services: 01782 599258 All Franke taps are designed to conform with Water Research Council Requirements.

NB. Ceramic disc taps in certain installations or where there is a low head of water (below 4 metres) may not provide adequate flow rates. You are advised to check with your supplier.