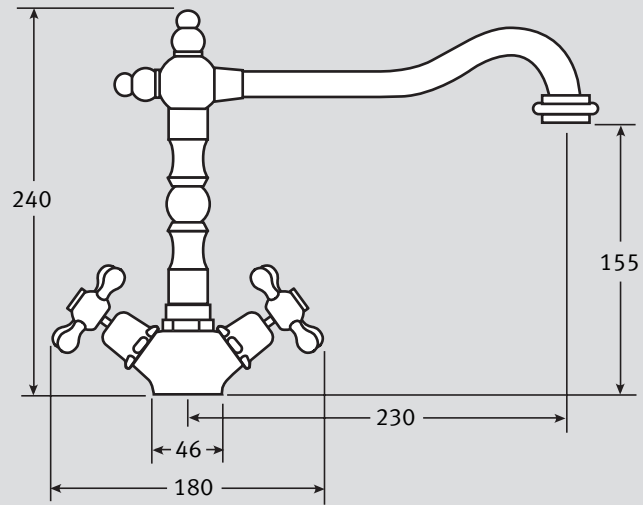


Professional Retro Tap Specifications

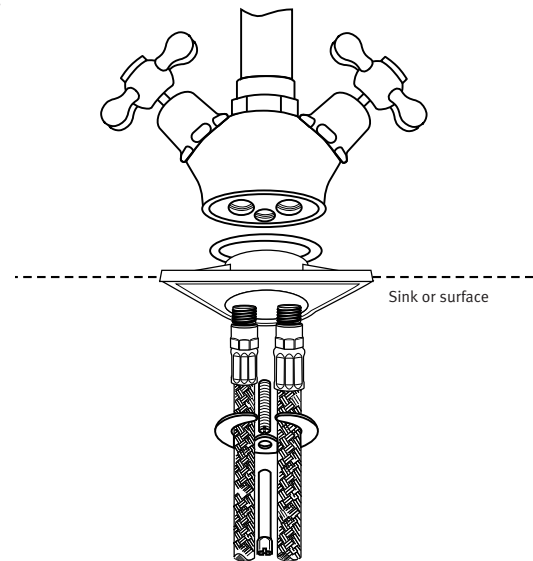
- Compression valve mixer
- Non-rising handwork
- French farmhouse style
- Requires 35mm tap hole
- Compatible with most Franke sink types
- Conforms to W.R.C. requirements
- Coded indices
- Fully guaranteed with nationwide servicing*



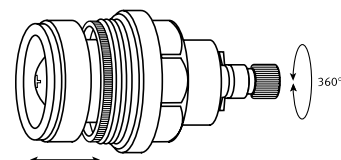
Material:	Solid brass body and brass spout	
Type:	Compression valve mixer tap	
Spout:	Distinctive angular, single flow spout	
Tails:	Flexi tails with non return valves fitted	
Tap Height:	155 (overall tap height 240)	
Spout Reach:	230	
Handle Width:	180	
Colours:	Chrome, Antique Gold, Bronze and Pewter	
Maximum Water Pressure:	75 PSI (5 bar)	
Maximum Hot-Water Temperature:	70°C	
Recommended Hot-Water Temperature:	65°C	
Guarantee:-	Valve:	5 year
	Surfaces:	1 year
Joints:	It is recommended that compression fittings are used to link the tap to the supply.	

Some taps may require bracing to avoid flexing of the sink ledge.

Tails:



Valve Mechanism:



* Central Services: 01782 599258 All Franke taps are designed to conform with Water Research Council Requirements.

NB. Ceramic disc taps in certain installations or where there is a low head of water (below 4 metres) may not provide adequate flow rates. You are advised to check with your supplier.