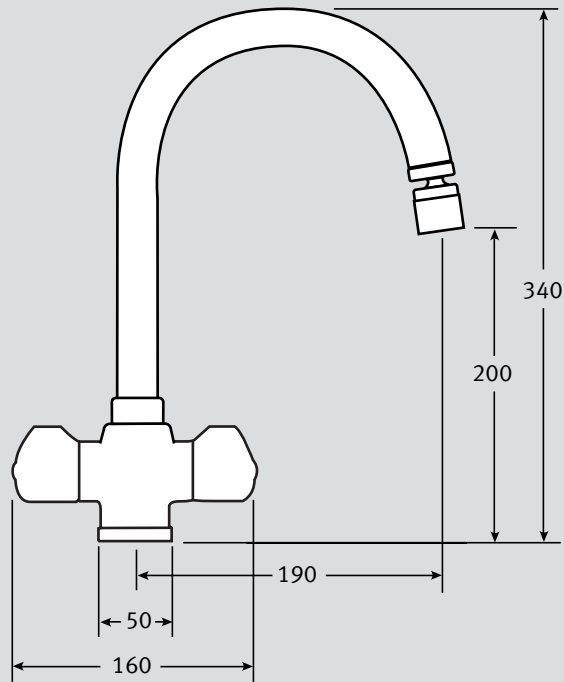


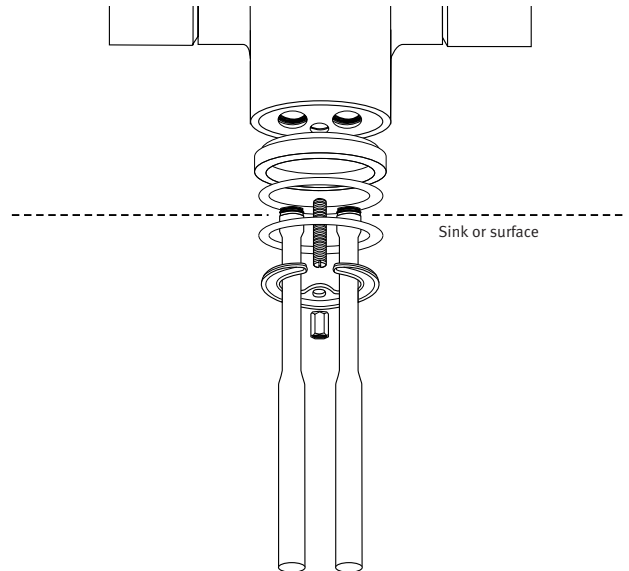
Professional Moselle Tap Specifications

- Attractive flush fit handle design
- Ceramic disc cartridge mechanism
- Rota fitted for directional flow
- Brass body and spout
- Screw in spout
- Compatible with most Franke sink types
- Requires 35mm tap hole
- Fully guaranteed with nationwide servicing*

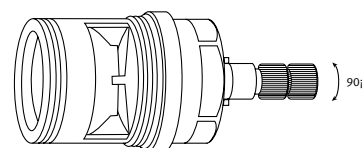


Material:	Solid brass body and brass spout	
Type:	Quarter turn Ceramic Disc	
Spout:	Bi-flow spout with rota	
Tails:	Screw-in 15mm copper tails supplied with one built in non-return valve. Fixing kit supplied for body.	
Tap Height:	340	
Spout Reach:	190	
Handle Width:	160	
Colours:	Chrome or SilkSteel	
Maximum Water Pressure:	75 PSI (5 bar)	
Maximum Hot-Water Temperature:	70°C	
Recommended Hot-Water Temperature:	65°C	
Guarantee:-	Ceramic mechanism	5 year
	Surfaces:	1 year
Joints:	It is recommended that compression fittings are used to link the tap to the supply.	

Tails:



Valve Mechanism: Cartridge



Some taps may require bracing to avoid flexing of the sink ledge.

* South Services: 0870 241 5632 * Central Services: 01782 599258 All Franke taps are designed to conform with Water Research Council Requirements.

NB. Ceramic disc taps in certain installations or where there is a low head of water (below 4 metres) may not provide adequate flow rates. You are advised to check with your supplier.